

# SF10 Mono Color Silicone LED Linear Flex

SF10-24V-2835-144-2200K-6500K

## Specification



Dimension

Vertical Bending

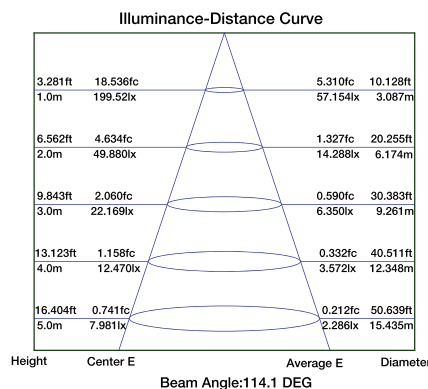
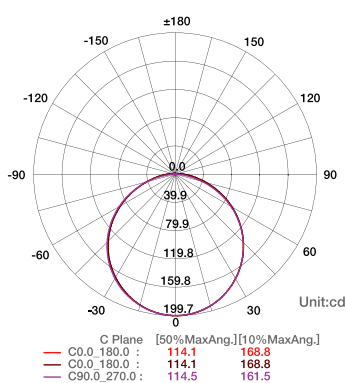
Min. Bending Diameter

Beam Angle	Ansi C78.377	4 SDCM	One Bin	Dimmable	IP68 Submersible
Ambient Temp.	Class 3	LM-80	IK08	UV Resistant	Anti-Yellowing
Flame Resistant	Saltwater Resistant	Solvents Resistant	Dirt Resistant	CE	RoHS
5 years warranty Warranty					

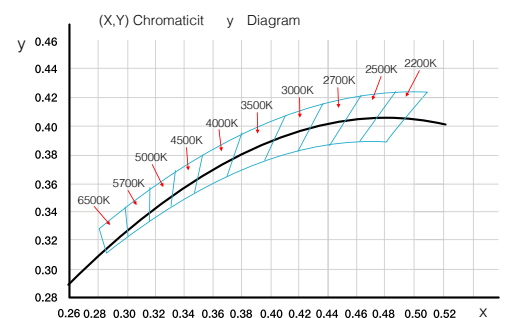
## Technical Parameters

Electrical	Optional Color	Lumen Output
Input Voltage: 24V DC	2200K(2238±102K)	410lm/m
Power Consumption: 10W/m	2700K(2725±145K)	410lm/m
Physical	3000K(3045±175K)	430lm/m
LED Count: 144 LEDs/m	3500K(3465±245K)	430lm/m
Cutting Unit: 12 LEDs	4000K(3985±275K)	450lm/m
Cutting Unit Length: 83.3 mm	4500K(4503±243K)	450lm/m
Minimum Bend Diameter: 80mm	5000K(5029±283K)	460lm/m
Output	6500K(6532±510K)	460lm/m
LED Light: Epistar SMD LED 2835	Green(520-530nm)	520lm/m
CRI: >80, >90	Blue (520-530nm)	70lm/m
Max Run Length*	Red (620-630nm)	155lm/m
Single Feed: 10M		
Double Feed: 20 M		
Beam Angle: 120°		
Lumen Maintenance: 70,000 Hours L70 @ 25°C 50,000 Hours L70 @ 50°C		
Temperature Ranges		
Installation: 0°C to 50°C		
Operating: -40°C to 55°C		
Dependability		
Warranty: 5 Years Warranty		
IP Rating: IP68 Wet location submersible <2m		

## Illuminance Distribution

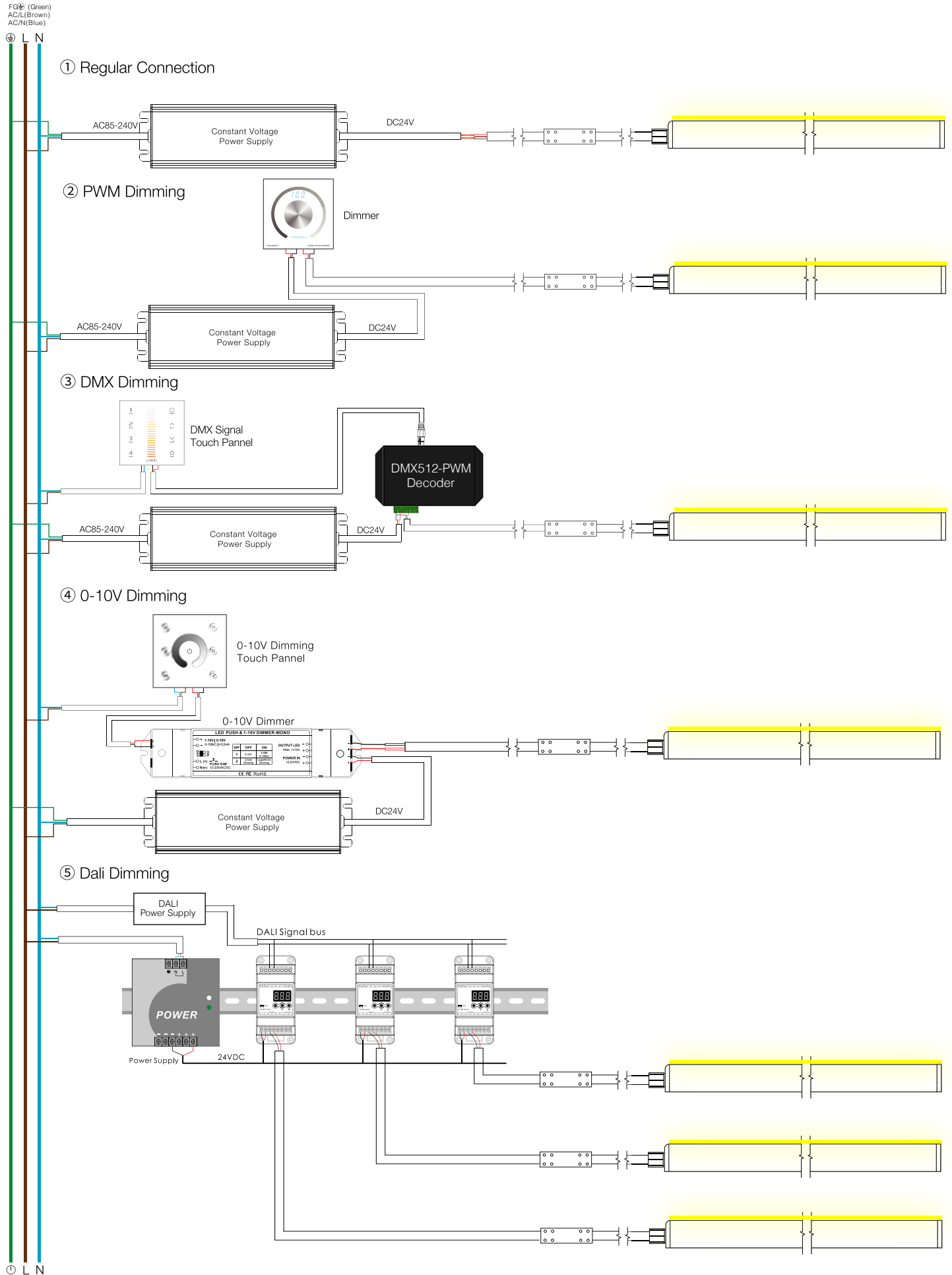


## White Color Charts



# SF10 Mono Color Silicone LED Linear Flex

## Connection



④ L N