

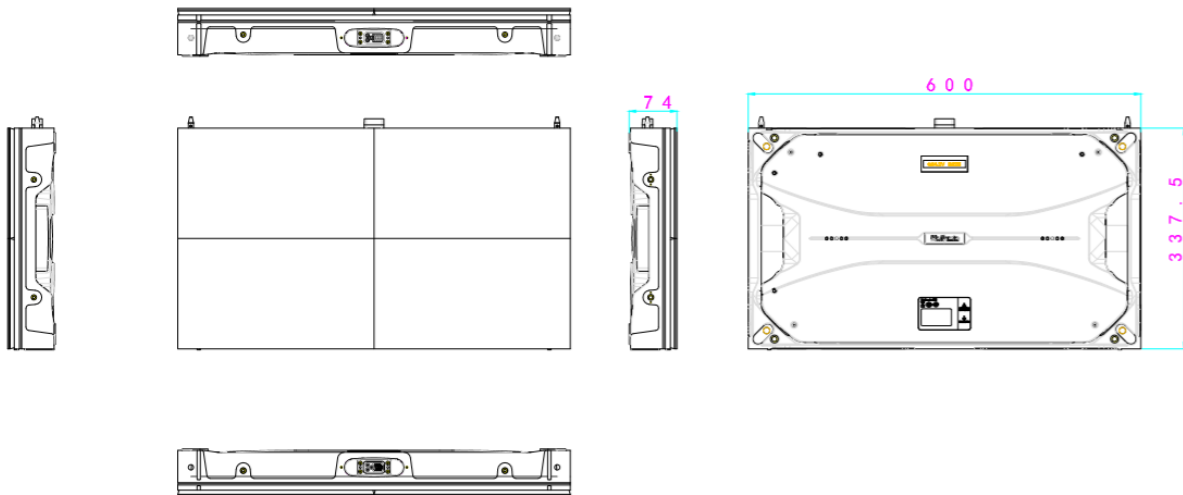
UMini

UMini0.5 Ultra-Mini, Ultra Vision



Product features:

1. Ultra contrast of 20,000:1, to the beauty of the show (Optional)
2. Ultra dazzling color, cinema grade HDR (Optional)
3. Smooth optical system design, comfortable viewing experience
4. Ultra energy management, dynamic energy saving by 40%



Main Technical Specifications:

Parameter	Value
Pixel Pitch	0.58
LED Type	Mini LED
Brightness	450cd/m ²
Pixel Density	2,912,711pixels /m ²
Pixels Per Panel	1024 x 576 pixels
Module Size	300mm×168.75mm
Panel Size	600mm×337.5mm×74mm
Weight	www.streetcommunication.com 9.2kg/panel
Maintenance	Front/Rear
Ingress Protection	Rear IP50
Curve	/
Panel Diagonal	27"
Aspect Ratio	16:9
Panel Area	0.2025m ²
Planeness	≤0.15mm
Recommended Viewing Distance	≥0.58m
Environment	indoor
Material	Die-cast Aluminum
Calibration	Support brightness and chroma
Brightness Control	Manual/Automatic
Color Temperature	2,000K-95,00K Adjustable
Viewing Angle	0° ~180°
Contrast Ratio	≥10000: 1
Input Power <Max>	101 W/panel
Input Power <Typical>	40 W/panel
Input Voltage	100~240 V (50&60Hz)
Processing Depth	16bit
Refresh Rate	3840 Hz
Video Frame Rate	50/60Hz
Input Power Frequency	50&60 Hz
LED Life Time	100,000 Hours
Operating Temperature/Humidity	-10℃~+45℃/ 10~80% RH
Storage Temperature/Humidity	-20℃~+55℃/ 10~85% RH
Power Status	Diagnostic LEDs
Standard Mounting Configuration	Fixed
Optional Mounting Configuration	/
Certification	UL/FCC/IC/CE/CB /CCC

Note: Specifications are for reference only and are subject to change without notice.

Viewing angle is viewing angle of screen visible .Power consumption tolerance: ±15%, according to the actual situation.

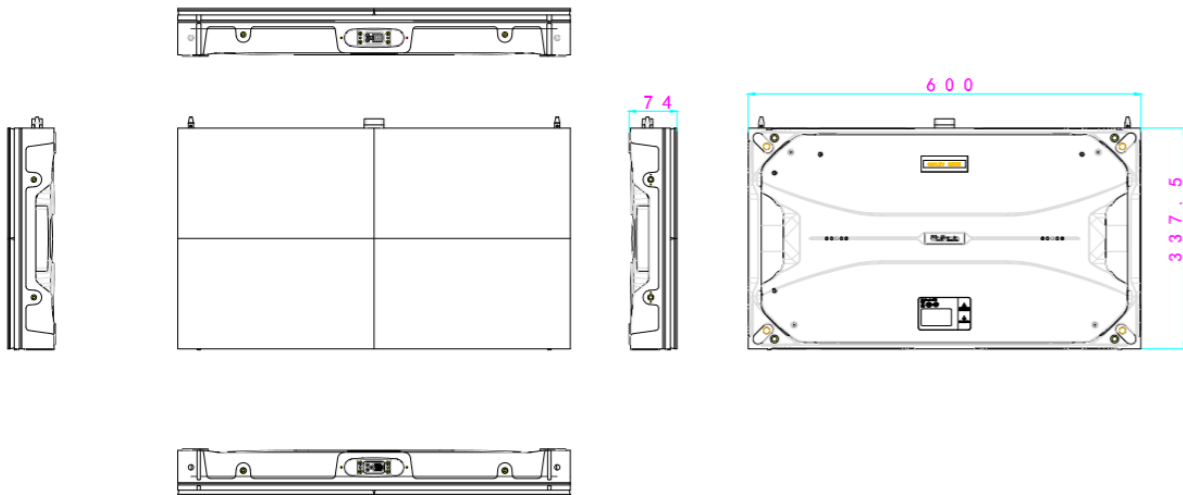
UMini

UMini0.7 Ultra-Mini, Ultra Vision



Product features:

1. Ultra contrast of 20,000:1, to the beauty of the show (Optional)
2. Ultra dazzling color, cinema grade HDR
3. Smooth optical system design, comfortable viewing experience
4. Ultra energy management, dynamic energy saving by 40%



Main Technical Specifications:

Parameter	Value
Pixel Pitch	0.78125
LED Type	Mini LED
Brightness	600cd/m ²
Pixel Density	1,638,400pixels /m ²
Pixels Per Panel	768 x 432 pixels
Module Size	300mm×168.75mm
Panel Size	600mm×337.5mm×74mm
Weight	9.2kg/panel
Maintenance	Front/Rear
Ingress Protection	Rear IP50
Curve	/
Panel Diagonal	27"
Aspect Ratio	16:9
Panel Area	0.2025m ²
Planeness	≤0.15mm
Recommended Viewing Distance	≥0.78m
Environment	indoor
Material	Die-cast Aluminum
Calibration	Support brightness and chroma
Brightness Control	Manual/Automatic
Color Temperature	2,000K-95,00K Adjustable
Viewing Angle	0° ~180°
Contrast Ratio	≥5000: 1
Input Power <Max>	43 W/panel
Input Power <Typical>	14 W/panel
Input Voltage	100~240 V (50&60Hz)
Processing Depth	15bit
Refresh Rate	3840 Hz
Video Frame Rate	50/60Hz
Input Power Frequency	50&60 Hz
LED Life Time	100,000 Hours
Operating Temperature/Humidity	-10℃~+45℃/ 10~80% RH
Storage Temperature/Humidity	-20℃~+55℃/ 10~85% RH
Power Status	Diagnostic LEDs
Standard Mounting Configuration	Fixed
Optional Mounting Configuration	/
Certification	UL/FCC/IC/CE/CB /CCC

Note: Specifications are for reference only and are subject to change without notice.

Viewing angle is viewing angle of screen visible .Power consumption tolerance: ±15%, according to the actual situation.

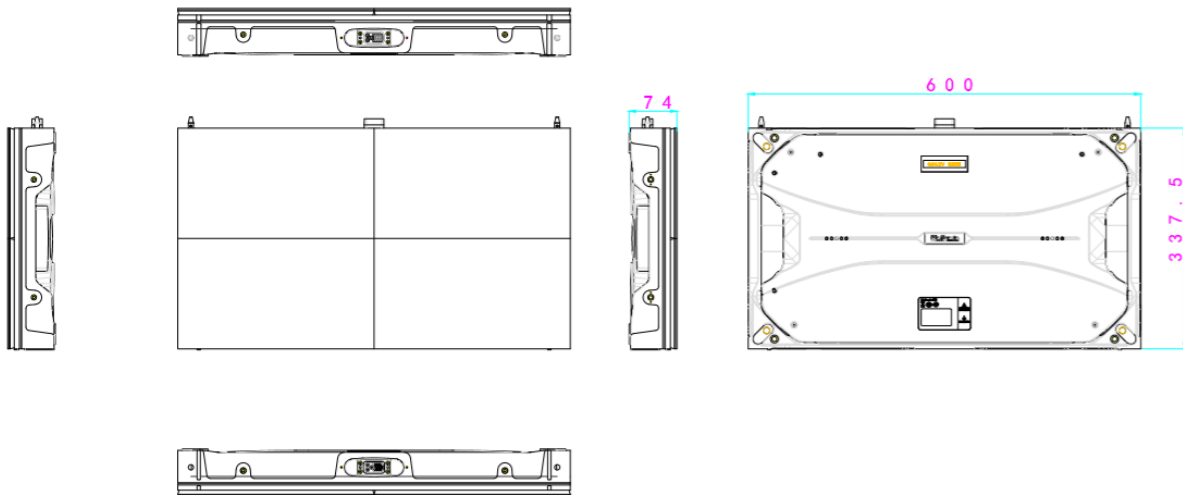
UMini

UMini0.9 Ultra-Mini, Ultra Vision



Product features:

1. Ultra contrast of 20,000:1, to the beauty of the show (Optional)
2. Ultra dazzling color, cinema grade HDR (Optional)
3. Smooth optical system design, comfortable viewing experience
4. Ultra energy management, dynamic energy saving by 40%



Main Technical Specifications:

Parameter	Value
Pixel Pitch	0.9375
LED Type	Mini LED
Brightness	600cd/m ²
Pixel Density	113,7777pixels /m ²
Pixels Per Panel	640x360 pixels
Module Size	300mm×168.75mm
Panel Size	600mm×337.5mm×74mm
Weight	9.2kg/panel
Maintenance	Front/Rear
Ingress Protection	Rear IP50
Curve	/
Panel Diagonal	27"
Aspect Ratio	16:9
Panel Area	0.2025m ²
Planeness	≤0.15mm
Recommended Viewing Distance	≥0.9m
Environment	indoor
Material	Die-cast Aluminum
Calibration	Support brightness and chroma
Brightness Control	Manual/Automatic
Color Temperature	2,000K-95,00K Adjustable
Viewing Angle	0° ~180°
Contrast Ratio	≥5000: 1
Input Power <Max>	73 W/panel
Input Power <Typical>	24 W/panel
Input Voltage	100~240 V (50&60Hz)
Processing Depth	19bit
Refresh Rate	3840 Hz
Video Frame Rate	50/60Hz
Input Power Frequency	50&60 Hz
LED Life Time	100,000 Hours
Operating Temperature/Humidity	-10℃~+45℃/ 10~80% RH
Storage Temperature/Humidity	-20℃~+55℃/ 10~85% RH
Power Status	Diagnostic LEDs
Standard Mounting Configuration	Fixed
Optional Mounting Configuration	/
Certification	UL/FCC/IC/CE/CB /CCC

Note: Specifications are for reference only and are subject to change without notice.

Viewing angle is viewing angle of screen visible .Power consumption tolerance: ±15%, according to the actual situation.

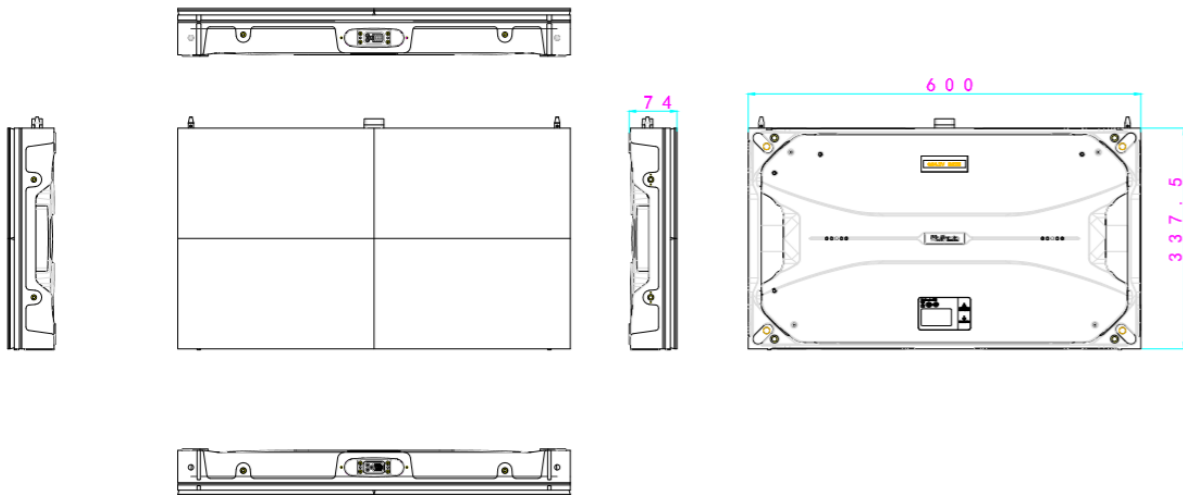
UMini

UMini1.2 Ultra-Mini, Ultra Vision



Product features:

1. Ultra contrast of 20,000:1, to the beauty of the show (Optional)
2. Ultra dazzling color, cinema grade HDR
3. Smooth optical system design, comfortable viewing experience
4. Ultra energy management, dynamic energy saving by 40%



Main Technical Specifications:

Parameter	Value
Pixel Pitch	1.25
LED Type	Mini LED
Brightness	600cd/m ²
Pixel Density	640,000pixels /m ²
Pixels Per Panel	480x270 pixels
Module Size	300mm×168.75mm
Panel Size	600mm×337.5mm×74mm
Weight	9.2kg/panel
Maintenance	Front/Rear
Ingress Protection	Rear IP50
Curve	/
Panel Diagonal	27"
Aspect Ratio	16:9
Panel Area	0.2025m ²
Planeness	≤0.15mm
Recommended Viewing Distance	≥1.2m
Environment	indoor
Material	Die-cast Aluminum
Calibration	Support brightness and chroma
Brightness Control	Manual/Automatic
Color Temperature	2,000K-95,00K Adjustable
Viewing Angle	0° ~180°
Contrast Ratio	≥5000: 1
Input Power <Max>	61 W/panel
Input Power <Typical>	20 W/panel
Input Voltage	100~240 V (50&60Hz)
Processing Depth	19bit
Refresh Rate	3840 Hz
Video Frame Rate	50/60Hz
Input Power Frequency	50&60 Hz
LED Life Time	100,000 Hours
Operating Temperature/Humidity	-10℃~+45℃/ 10~80% RH
Storage Temperature/Humidity	-20℃~+55℃/ 10~85% RH
Power Status	Diagnostic LEDs
Standard Mounting Configuration	Fixed
Optional Mounting Configuration	/
Certification	UL/FCC/IC/CE/CB /CCC

Note: Specifications are for reference only and are subject to change without notice.

Viewing angle is viewing angle of screen visible .Power consumption tolerance: ±15%, according to the actual situation.